

Half-Length, Clamp-on Rails

User Instructions for MDS89697

ⓘ WARNING

RISK OF SERIOUS INJURY. When using side rails, only use side rails that can be positioned so that the gap between the side rails is large enough that the trunk and hips can easily pass through it. Make sure when raising the bed, head section or foot section does not create any of the previously described gaps.

ⓘ WARNING

RISK OF SERIOUS INJURY OR DEATH. If side rail is used, follow guidelines in rail User's Manual. Use of side rail can expose patient to risk of suffocation if head becomes trapped between mattress and side rail.

ⓘ WARNING

POSSIBLE INJURY. Make sure side rails are secured properly before using bed.

ⓘ WARNING

RISK OF SERIOUS INJURY. Individuals with physical limitations who cannot prevent themselves from rolling or climbing out of the bed may require other means of safe positioning

ⓘ WARNING

POSSIBLE DAMAGE OR INJURY. Do not use the side rails as handles when moving the bed.

ⓘ WARNING

POSSIBLE DAMAGE OR INJURY. Side rails do not fall within any weight limitations and may be damaged if excessive pressure is placed on them. Side rails are for the purpose of aiding in turning and repositioning within the bed and are not intended to be used for restraint purposes.

ⓘ WARNING

RISK OF SERIOUS INJURY OR DEATH. When using side rails, use a mattress thick enough and wide enough so that the between the top of the mattress and the bottom of the side rails and the gap between the side of the mattress and the side rails is small enough to prevent a patient from getting his or her head or neck between the mattress and the side rail. Assure that articulating the bed, head section or foot section does not create any hazardous gaps. Failure to do so could result in injury or possible suffocation.

ⓘ WARNING

RISK OF SERIOUS INJURY OR DEATH. When using side rails, only use side rails that can be positioned so that the gap between the headboard or foot board and the side rails is small enough to prevent a patient from getting his or her head or neck between the mattress and the side rail or large enough that the trunk and hips can easily pass through it. Assure that articulating the bed, head section or foot section does not create any hazardous gaps. Failure to do so could result in injury or possible suffocation.

ⓘ WARNING

RISK OF SERIOUS INJURY OR DEATH, When using side rails, only use side rails in which any gaps between the rail body members are small enough to prevent a patient from getting his or her head or neck inside the rail body. Failure to do so could result in injury or possible suffocation.

ⓘ WARNING

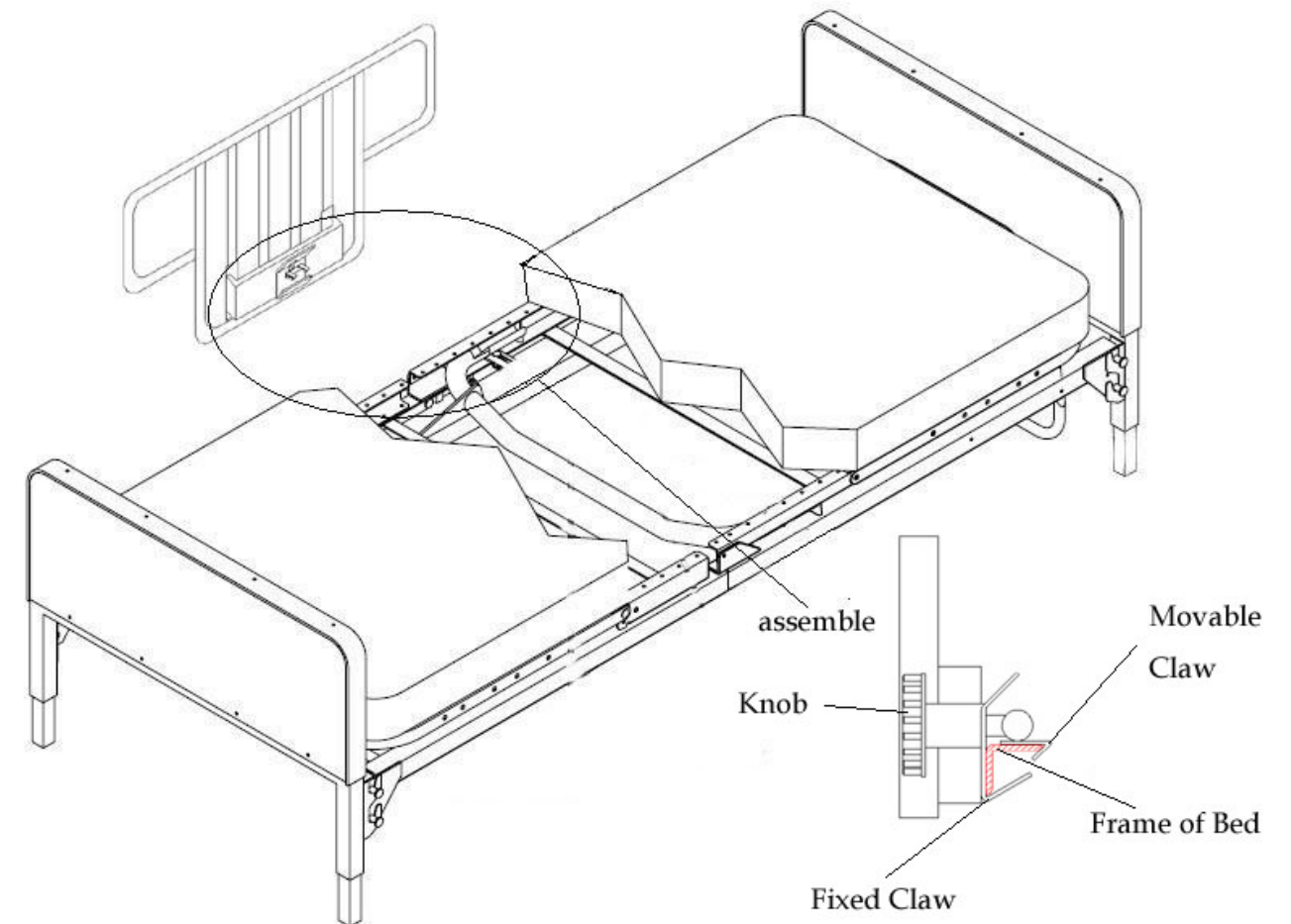
RISK OF SERIOUS INJURY. When using multiple side rails on one or both sides of the bed, only use side rails that can be positioned so that the gap between the side rails is large enough that the trunk and hips can easily pass through it. Assure that articulating the bed head section or foot section does not create any hazardous gaps.

ASSEMBLY INSTRUCTIONS (FIGURE 1)

1. Remove the mattress from the bed
2. Place the bed in the flat position
3. Determine the desired location for the Side Rail

4. Attach the **Fixed Claw** to **Frame of Bed**
5. Tighten the **Movable Claw** by twisting the **Knob**

FIGURE 1



Lifetime Limited Warranty

Side rail is warranted to be free of defects in materials and workmanship for one (1) years for the original purchaser. Welds are warranted for the life of the product.

This device was built to precise standards and carefully inspected prior to shipment. This Lifetime Limited Warranty is an expression of our confidence in the material and workmanship of our products and assures years of convenient, dependable service. In the event of a defect covered by this warranty, we will, at our option, repair or replace the device. This warranty does not cover device failure due to owner misuse, negligence, or normal wear and tear. The warranty does not extend to non-durable components such as rubber accessories, which are subject to normal wear and replacement. Non-durable components are warranted for one year. If you have a question about your Medline product or this warranty, please call us at 1-800-MEDLINE. This warranty gives you specific legal rights, and you may have other rights, which vary from state to state.